

MAX HD1 Dome

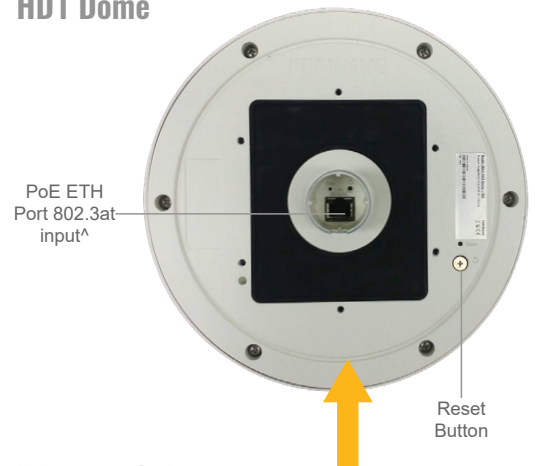
CAT-18

Single Cellular Router for Mobile Deployments

Specifications

MAX HD1 Dome	
WAN Interface	1x Embedded LTE Modems with Redundant SIM Slots [#]
LAN Interface	1x 10/100/1000M Ethernet Ports [^]
Downlink/Uplink Datarate	1.2 Gbps/150 Mbps
Enclosure	Rugged outdoor IP67
Recommended Users	150
Cellular Antenna	4x4 Internal MIMO Antennas 1x Internal GPS Antenna
Included Antenna	Built-In Omni Antenna Antenna gain: 5dBi
PepVPN	●
SpeedFusion HotFailover	○
Power Input	1x Power over Ethernet 802.3at
Power Consumption	20W (max.)
Dimensions	4.33in. (radius) x 8.4in. (height) 110mm (radius) x 124mm (height)
Weight	With Ethernet Splitter (1700 grams, 3.75 pounds) Without Ethernet Splitter (1200 grams, 2.65 pounds)
Operating Temperature	-40° – 149°F -40° – 65°C
Humidity	15% – 95% (non-condensing)
Certifications	FCC, CE, RoHS RF Port Lightning Immunity: ITU-T K.20 (+/- 1.5 kV) Shock and Vibration Resistance: EN 61373:1999 IEC 61373:1999
Warranty	1-Year Limited Warranty

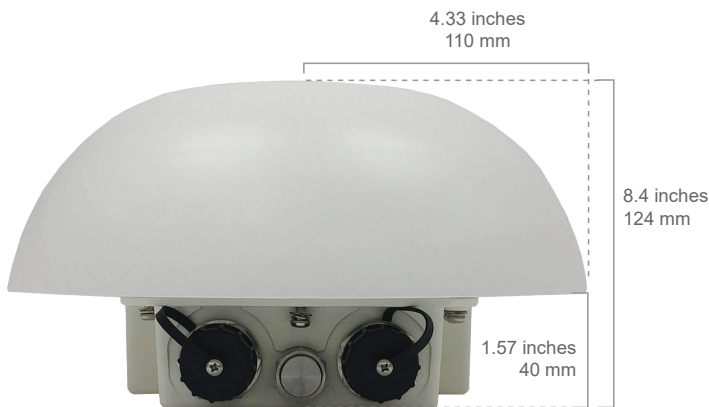
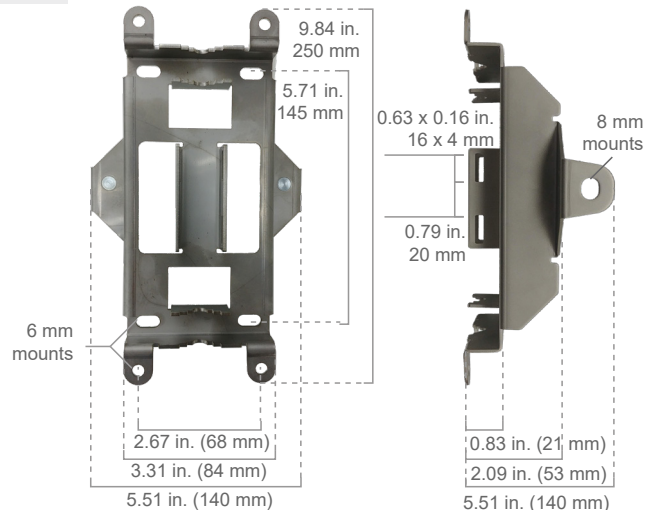
HD1 Dome



Ethernet Splitter



Mounting Bracket



[#]SIM Injector is available separately

[^]Ethernet LAN port can be split into two LAN ports using the included splitter (1x LAN 802.3af PoE out, 1x LAN PoE in)

Ordering Information

Product Code	Carrier/Region	Modems	Cellular Standard	4G Bands	3G Bands
MAX-HD1-DOM-M-GLTE-G	Global / CAT-18	1	LTE-A Pro	B1, B3, B25(B2), B66(B4), B26(B5/B18/B19), B7, B8, B12(17), B13, B14, B20, B28, B29, B30, B32, B71, B38, B39, B40, B41, B42, B43, B46, B48	B1, B2, B4, B5(B19), B8

Accessories

Product Code	Description
SIM-BK8-4E-56V	SIM Injector, 8x SIM cards capacity, 4x 10/100/1000 LAN ports, 56V DC